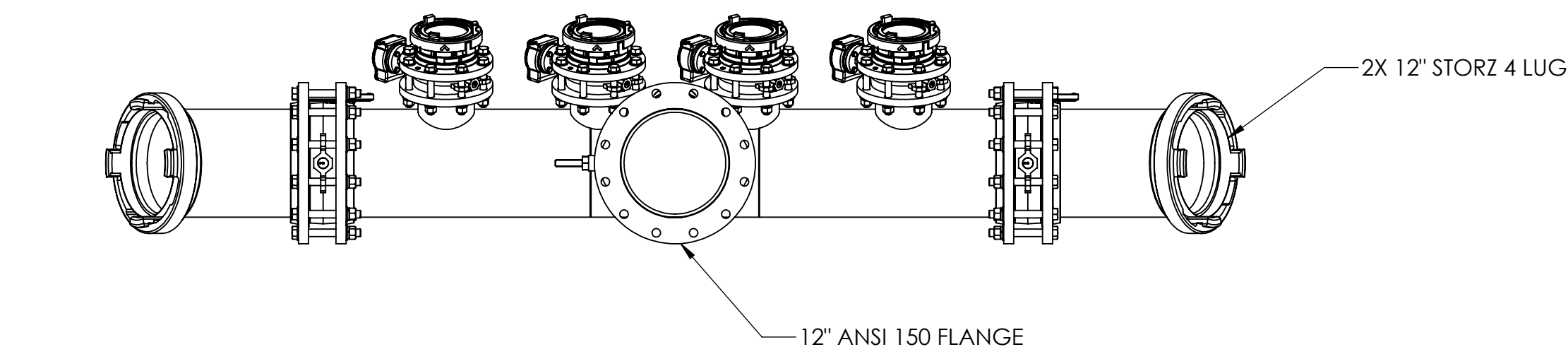
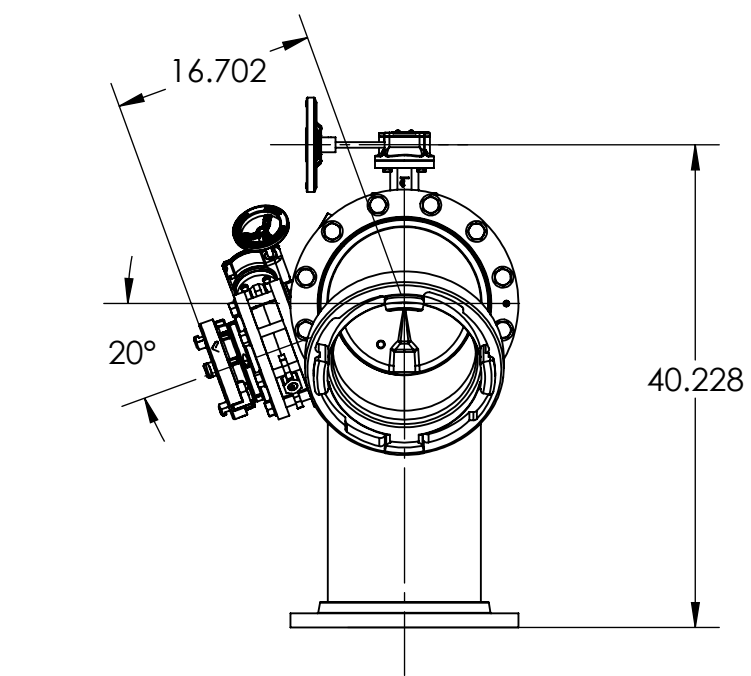
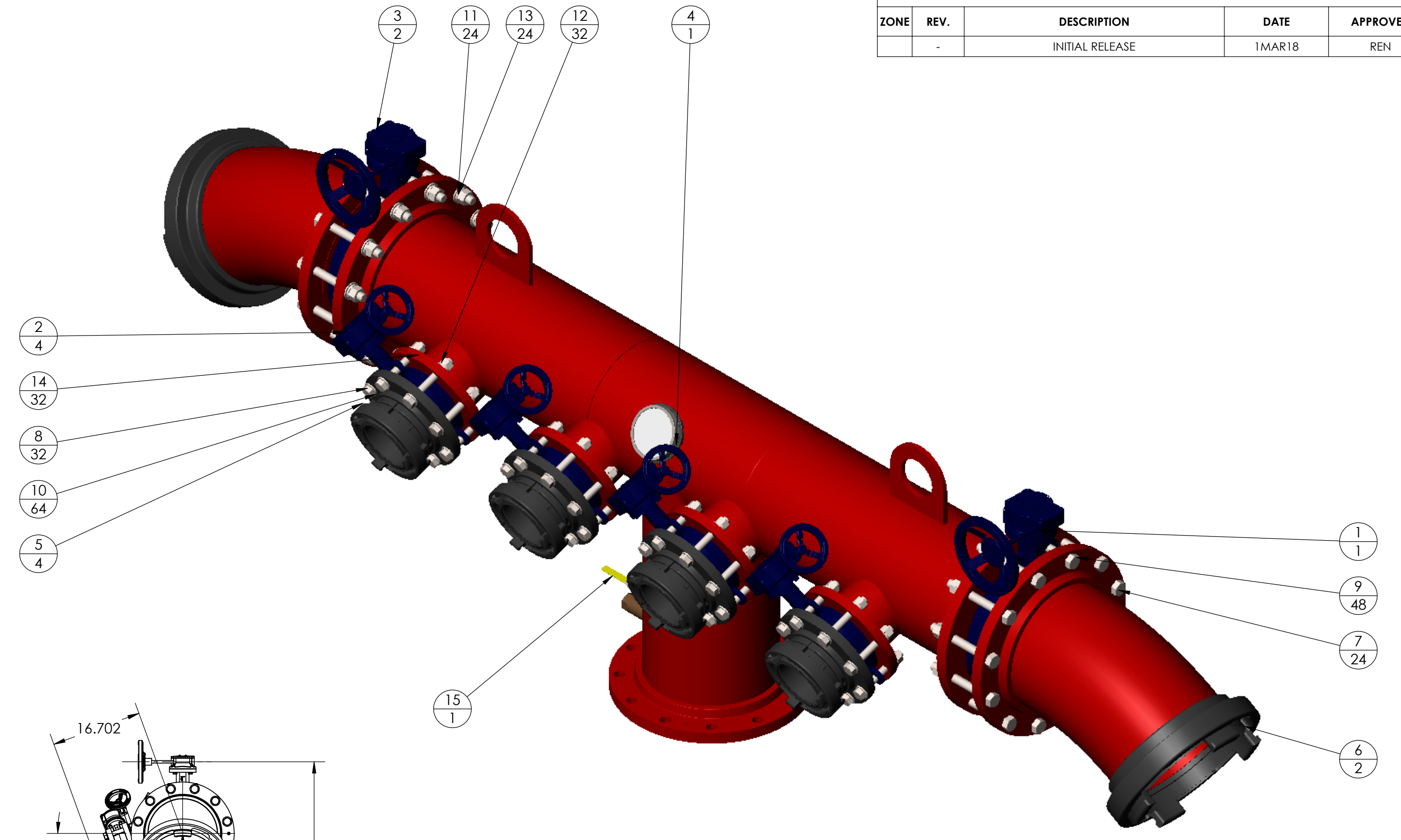
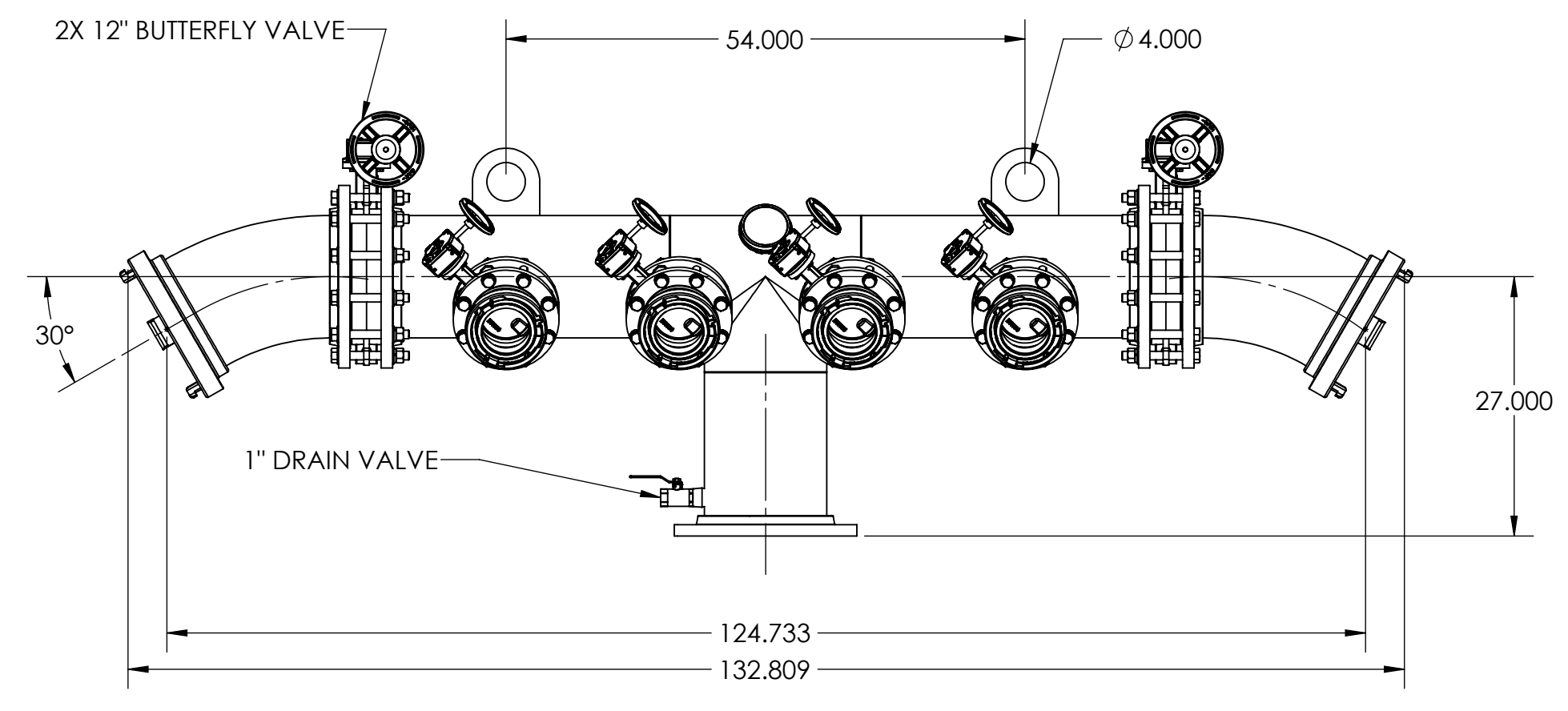
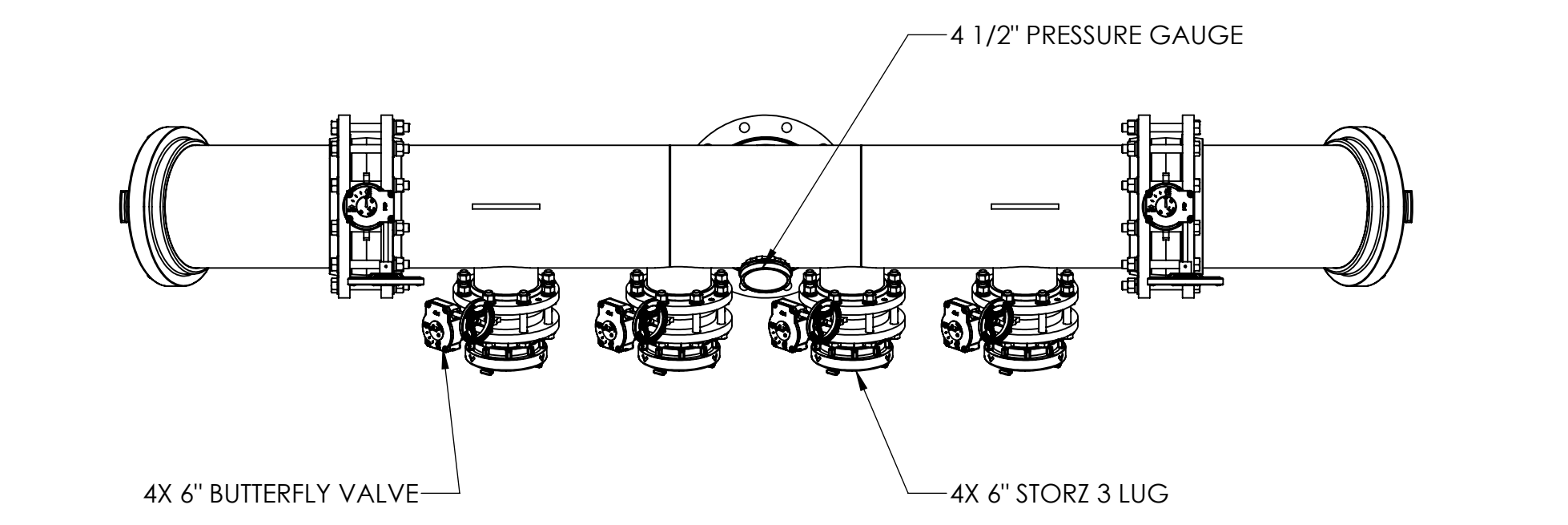


REVISIONS				
ZONE	REV.	DESCRIPTION	DATE	APPROVED
	-	INITIAL RELEASE	1MAR18	REN

NOTES:

- APPLICABLE STANDARDS/SPECIFICATIONS
 - ASME Y14.5M-1994, DIMENSIONS AND TOLERANCES
 - ASME Y14.38-2007, ABBREVIATIONS AND ACRONYMS
- DESIGN MODEL IS REPRESENTED IN CAD DIGITAL DATA FILE. DESIGN MODEL AVAILABLE IN OTHER 2D AND 3D DIGITAL DATA FORMATS ON REQUEST. INTERPRET PER ASME Y14.41-2003.



ITEM NO.	PART NUMBER	DESCRIPTION	QTY.
1	278-5001-04-0	Manifold-Hydrant, 2x 12", 4x 6", Carbon Steel	1
2	vpi_4448-08_dn150_	Valve-Butterfly, 6", Gear Operated	4
3	vpi_4448-08_dn300_	Valve-Butterfly, 12", Gear Operated	2
4	GAUGE PANEL 4.5 CHROME BEZEL - 01-31-07		1
5	188-1033-00-0	ADAPTER, STORZ, 6" X 6" ANSI 150 FLANGE	4
6	278-1005-04-0	Manifold-Elbow 30deg, 12", ANSI 150 Flange, Storz 4 Lug	2
7	212-0875-03-1-07500	HBOLT 0.8750-9x7.5x2.25-N	24
8	212-0075-03-1-05500	HBOLT 0.7500-10x5.5x1.75-N	32
9	197-0875-03-1	FW 0.875	48
10	197-0075-03-1	FW 0.75	64
11	197-0875-03-2	LW 0.875	24
12	197-0075-03-2	LW 0.75	32
13	210-0875-03-1	HNUT 0.8750-9-B-N	24
14	210-0075-03-1	HNUT 0.7500-10-B-N	32
15	1 Ball Valve-APOLLO 70-105-01_	1" Bronze Ball Valve	1

THE INFORMATION CONTAINED HEREIN IS PROPRIETARY DATA, AND IS NOT FOR DISSEMINATION OR DISCLOSURE, IN WHOLE OR IN PART, FOR ANY PURPOSE OTHER THAN THAT FOR WHICH IT IS SUBMITTED, EXCEPT AS AUTHORIZED IN WRITING BY US FIRE PUMP.

DELIVERY MUST CONFORM EXACTLY WITH DRAWING SPECIFICATIONS AND APPROVED Q.A. SAMPLES. ABSOLUTELY NO CHANGES ARE PERMITTED WITHOUT PRIOR APPROVAL BY US FIRE PUMP. THIS INCLUDES CHANGES TO: SOFTWARE, MATERIALS, INTERNAL COMPONENTS, MANUFACTURING PROCESSES.

INCH

ADDITIONAL APPROVALS	DATE					UNLESS OTHERWISE SPECIFIED DIMENSIONS ARE IN INCHES. TOLERANCES ARE: DECIMALS: .XX ± 0.02 ANGLES: ± 0.5° .XXX ± 0.010 SHEETMETAL DIMENSIONS: ± 0.03 DO NOT SCALE DRAWING	PROJECT	
STRESS							APPROVALS	DATE
MATERIALS & PROCESSES							DRAWN	1MAR18
QUALITY ASSURANCE							CHECKED	1MAR18
MANUFACTURING ENGINEERING		DASH NO.	NEXT ASSY	USED ON		DESIGNER	1MAR18	
TREATMENT		APPLICATION			PROJECTION	THIRD ANGLE	APPROVED	1MAR18
							FINISH	

Manifold-Hydrant, 2x12" Storz, 4x6" Storz, Carbon Steel

SCALE: 1:16 WEIGHT: 1089.334 lbs SHEET: 1 of 1