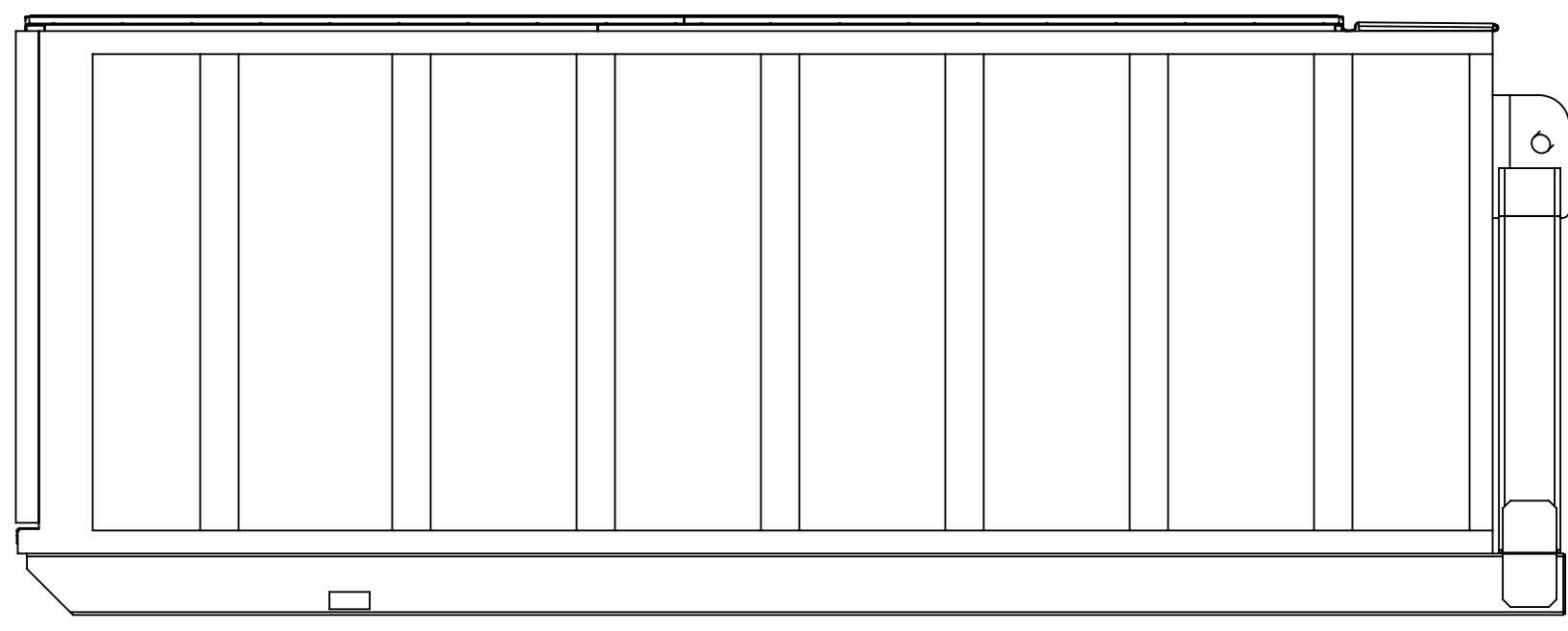
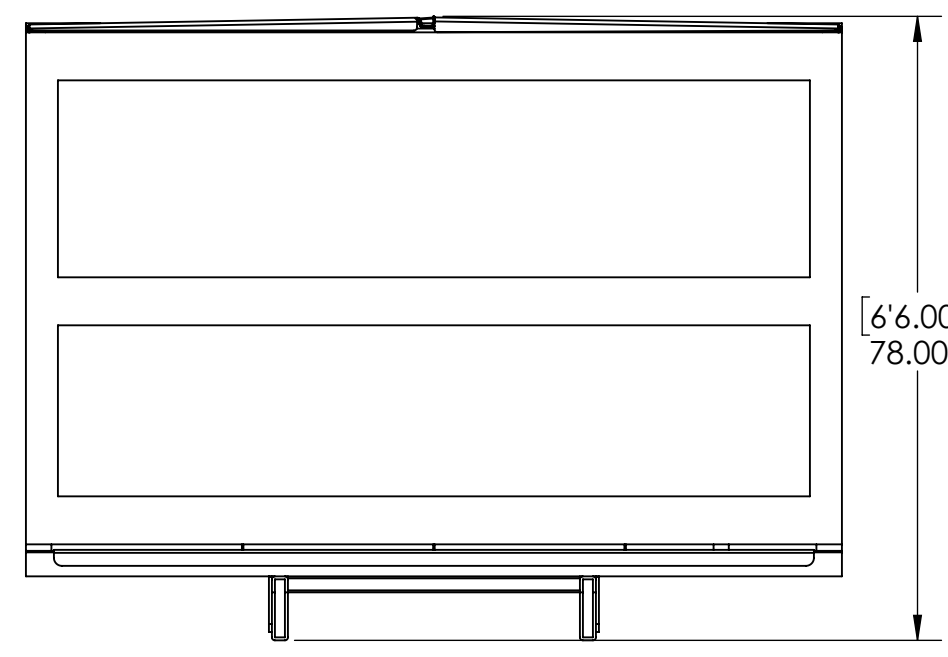
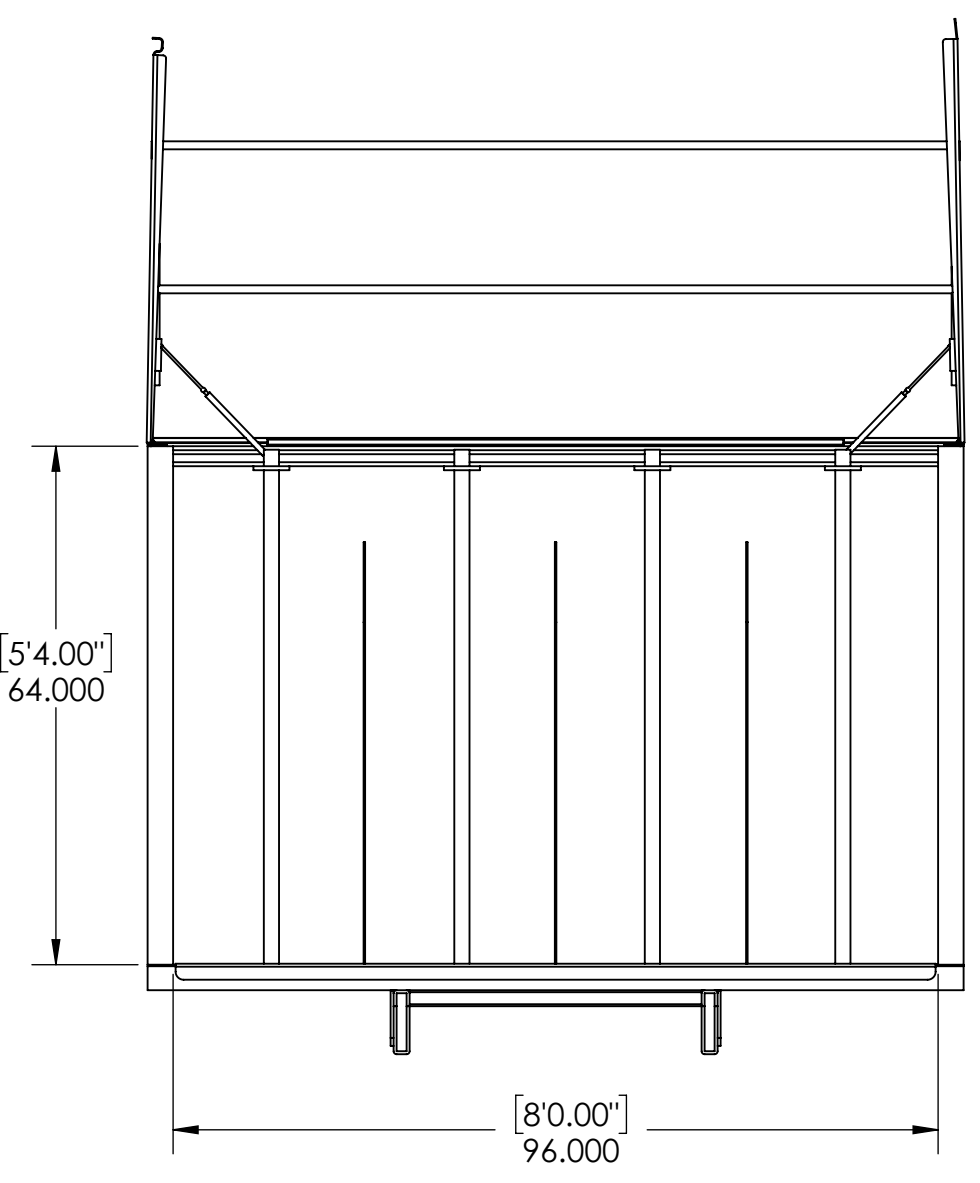
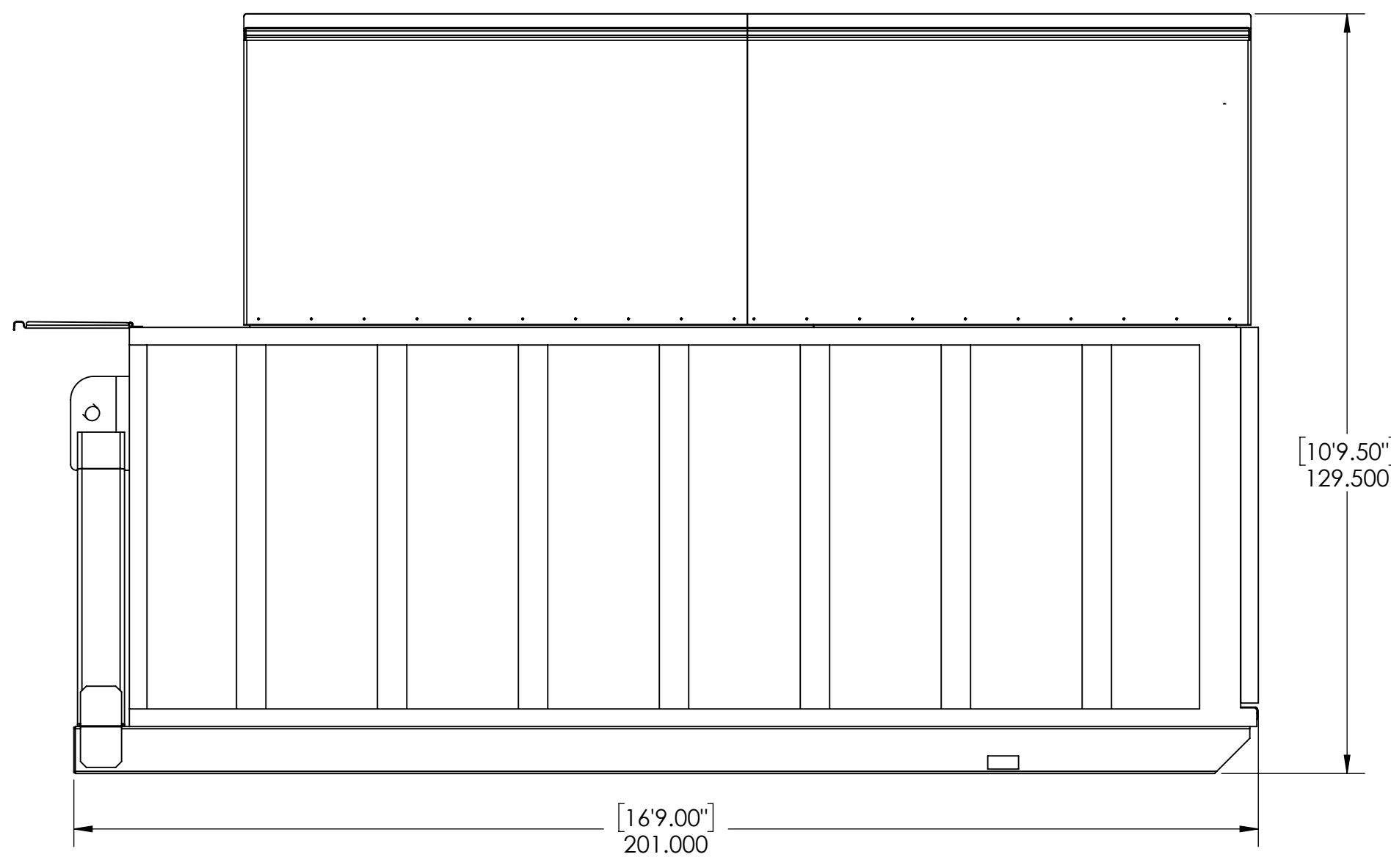
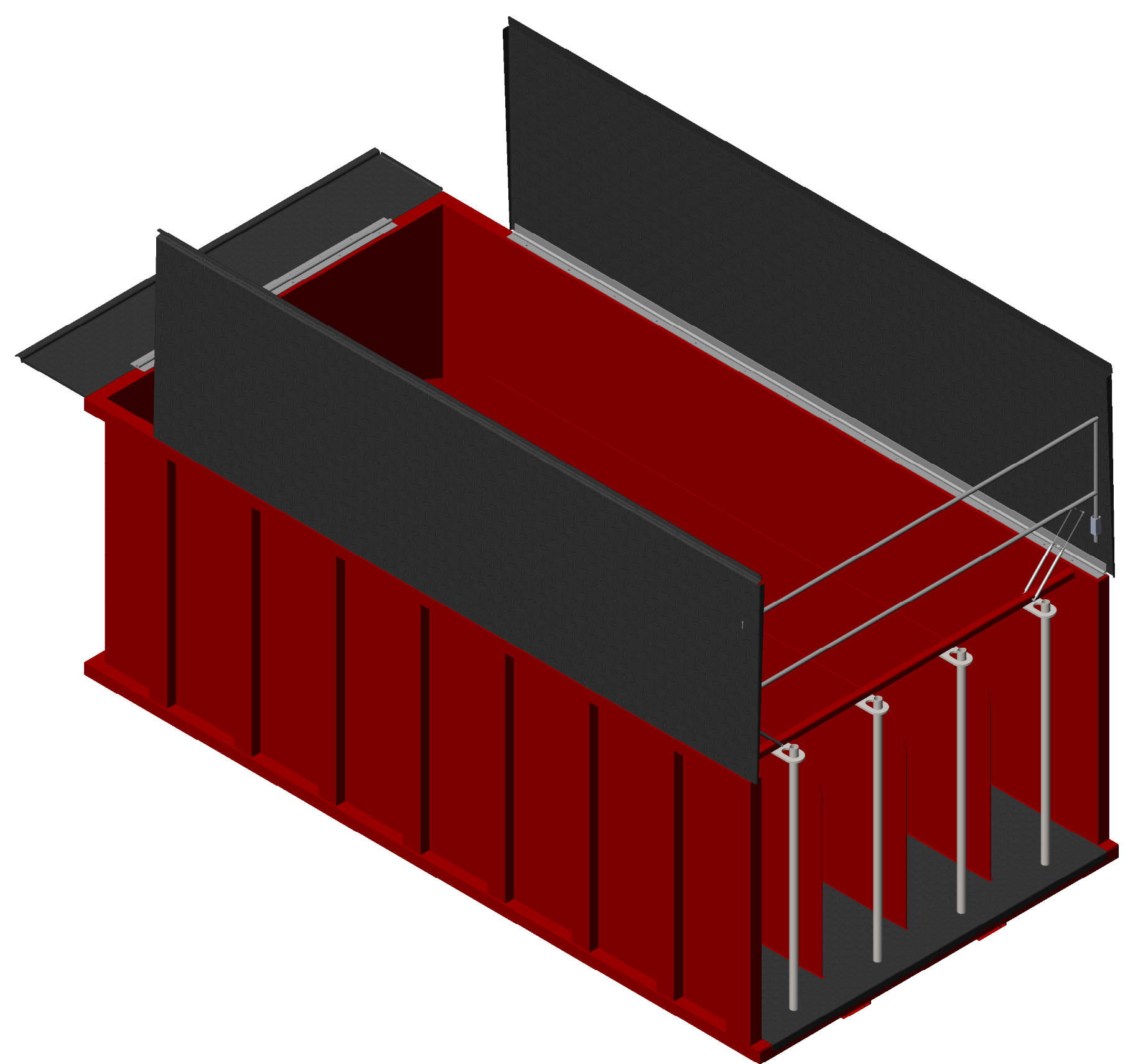
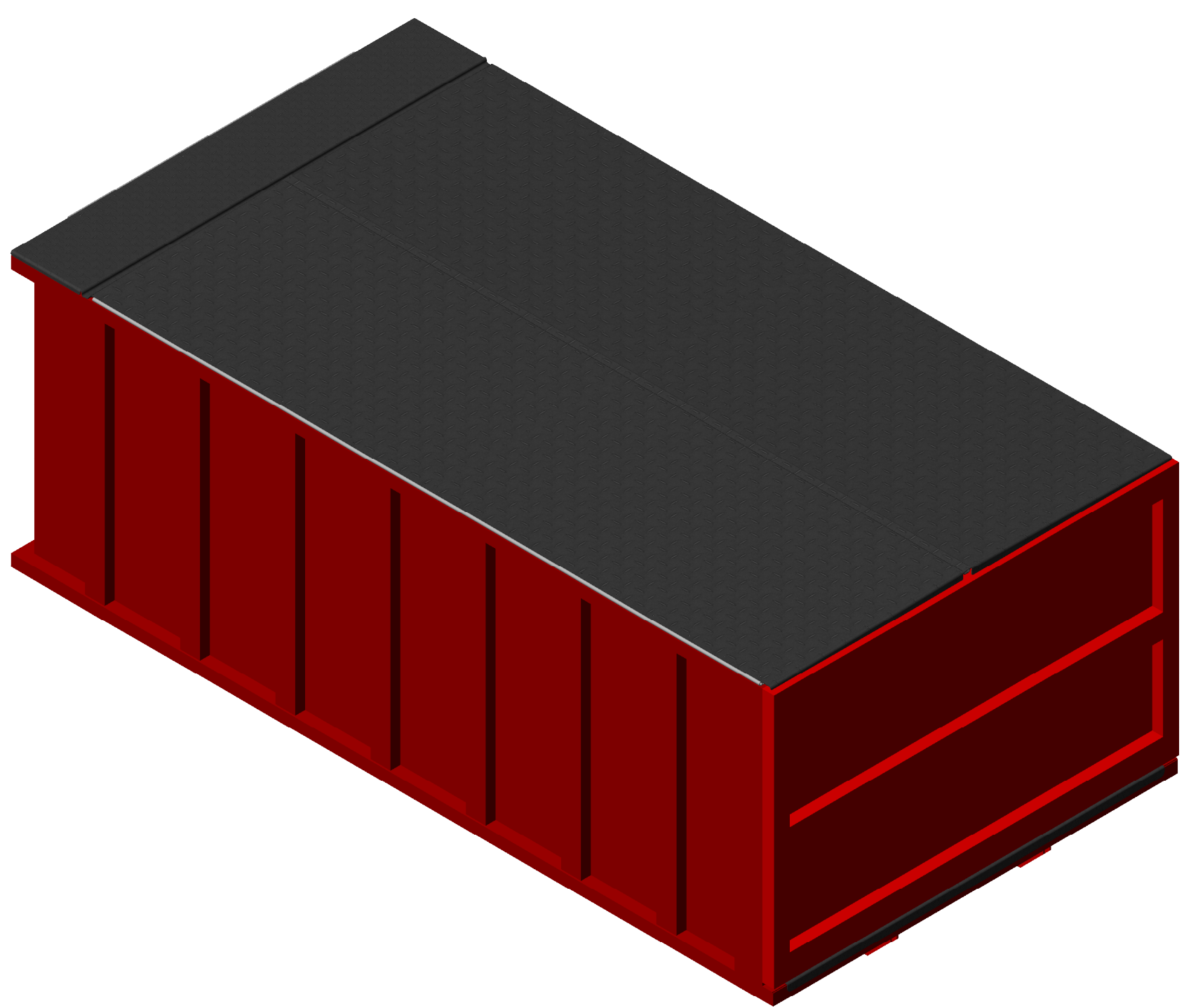
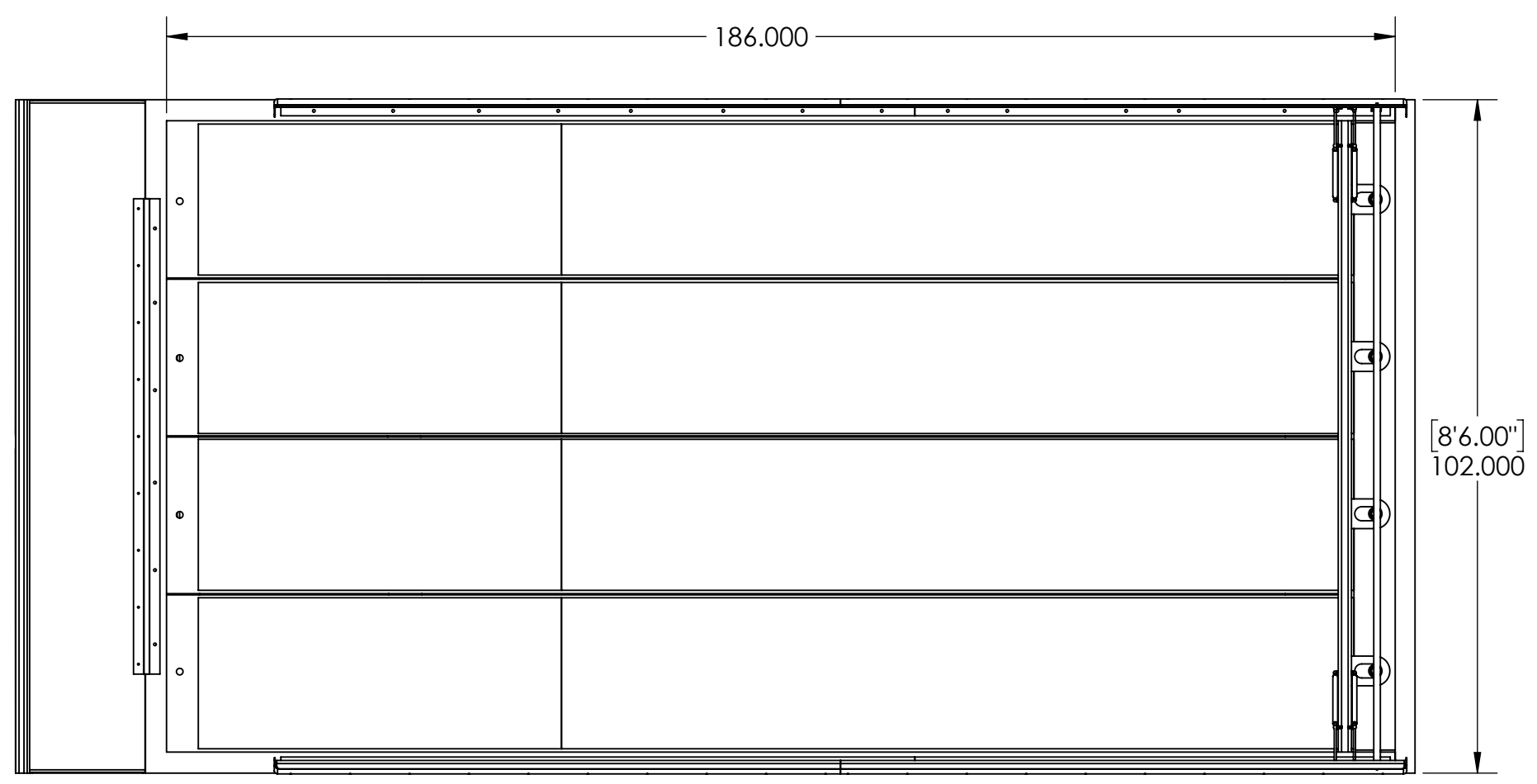


**NOTES:**

1. APPLICABLE STANDARDS/SPECIFICATIONS
  - A. ASME Y14.5M-1994, DIMENSIONS AND TOLERANCES
  - B. ASME Y14.38-2007, ABBREVIATIONS AND ACRONYMS

| REVISIONS |      |                 |        |          |
|-----------|------|-----------------|--------|----------|
| ZONE      | REV. | DESCRIPTION     | DATE   | APPROVED |
|           | -    | INITIAL RELEASE | 3/2/18 | REN      |



THE INFORMATION CONTAINED HEREIN IS PROPRIETARY DATA, AND IS NOT FOR DISSEMINATION OR DISCLOSURE, IN WHOLE OR IN PART, FOR ANY PURPOSE OTHER THAN THAT FOR WHICH IT IS SUBMITTED, EXCEPT AS AUTHORIZED IN WRITING BY US FIRE PUMP.

DELIVERY MUST CONFORM EXACTLY WITH DRAWING SPECIFICATIONS AND APPROVED Q.A. SAMPLES. ABSOLUTELY NO CHANGES ARE PERMITTED WITHOUT PRIOR APPROVAL BY US FIRE PUMP. THIS INCLUDES CHANGES TO: SOFTWARE, MATERIALS, INTERNAL COMPONENTS, MANUFACTURING PROCESSES.

INCH

|   |           |     |        |         |                             |   |
|---|-----------|-----|--------|---------|-----------------------------|---|
| UNLESS OTHERWISE SPECIFIED<br>DIMENSIONS ARE IN INCHES. | APPROVALS |     | DATE   |         | TITLE                       |   |
|   | DRAWN     | REN | 3/2/18 |         | CONTAINER-HOSE, 4000' OF 12 |   |
|   | CHECKED   | REN | 3/2/18 |         | SIZE                        | D |
|   | DESIGNER  | REN | 3/2/18 |         | CAGE CODE                   | - |
| DO NOT SCALE DRAWING                                    | APPROVED  | REN | 3/2/18 | DWG NO. | 900-1035-00-0               |   |
|   |           |     | SCALE  | 1:24    | RELEASE DATE                | - |
|   |           |     |        | SHEET   | 1 of 1                      |   |