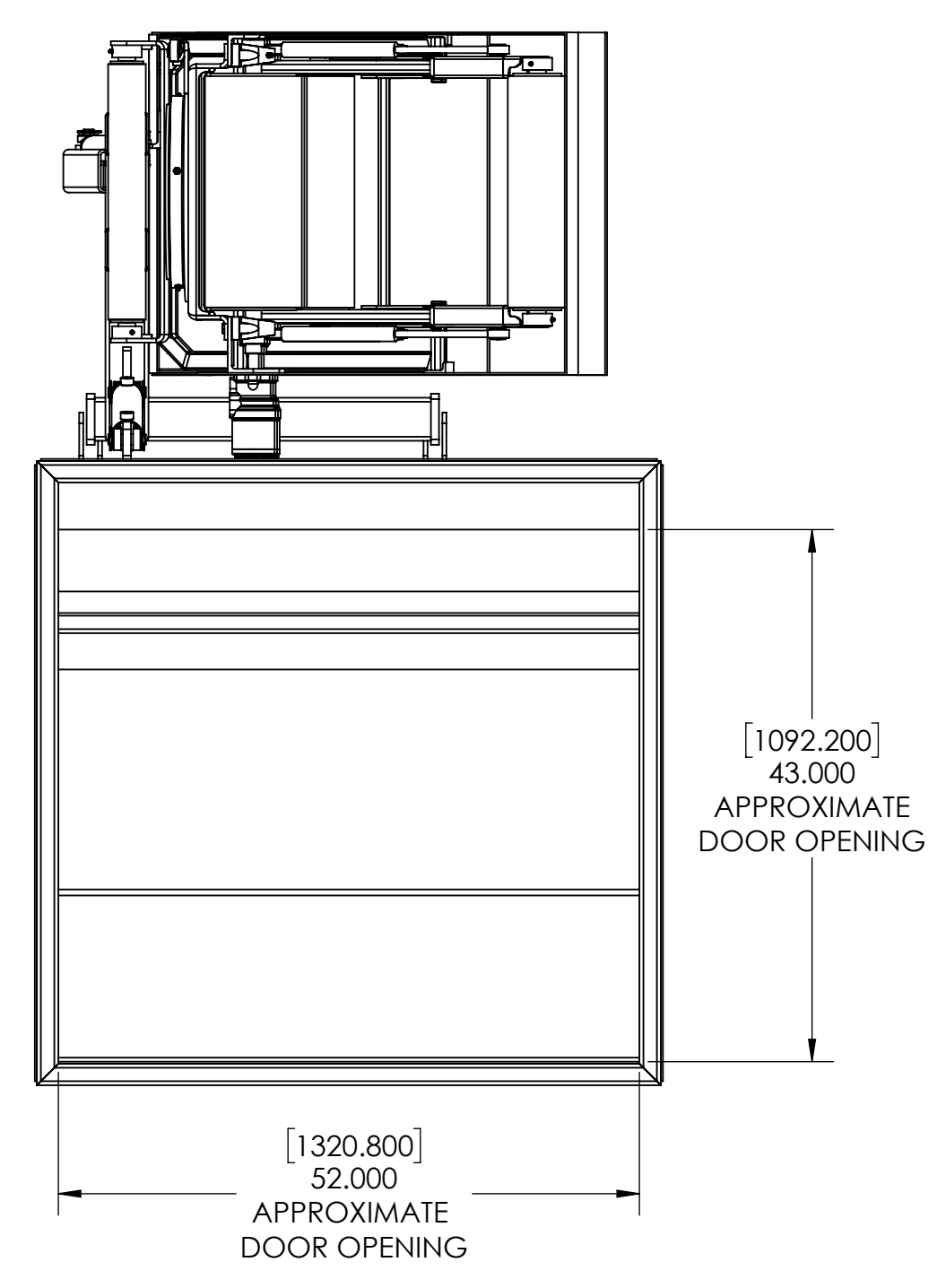
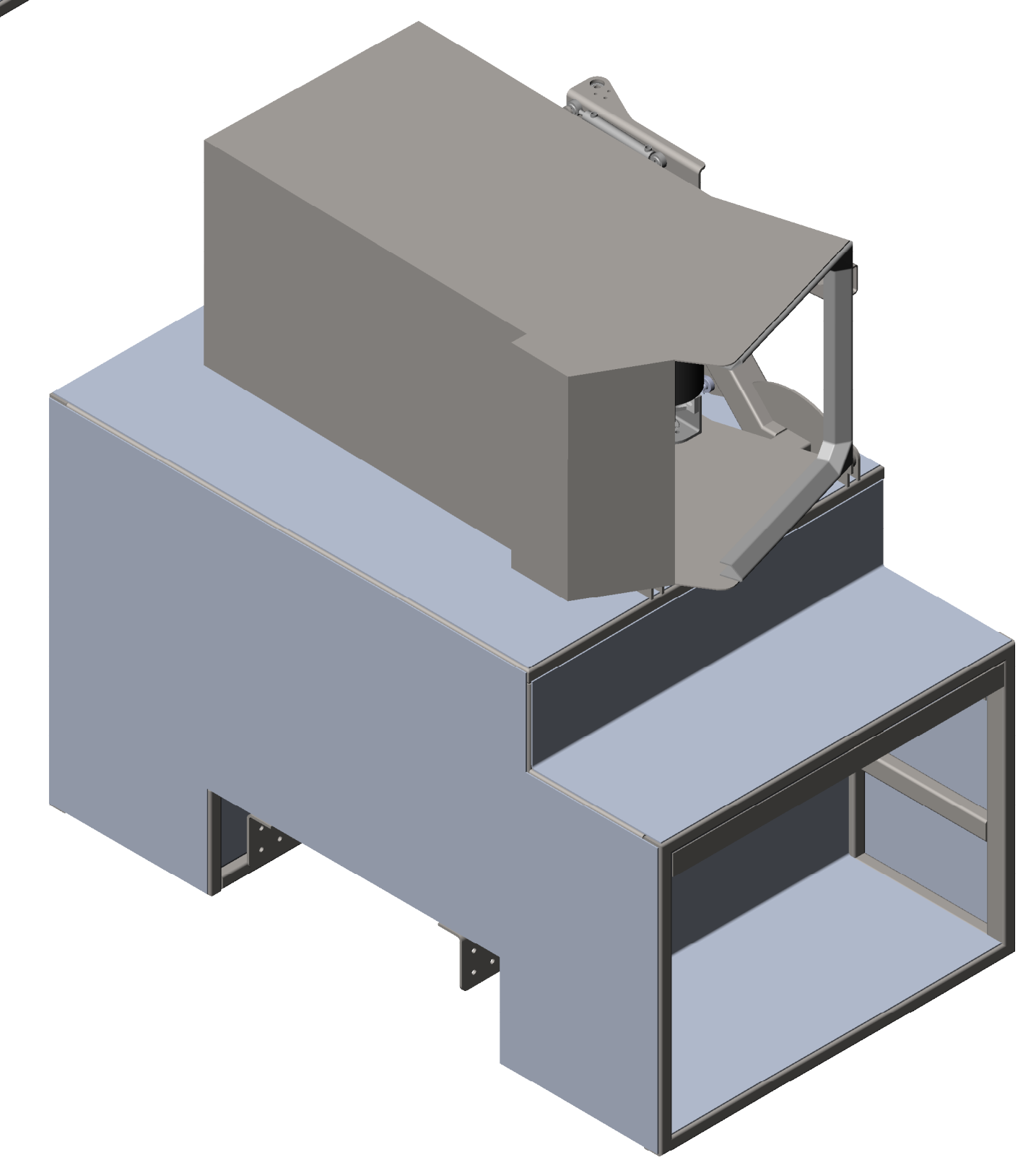
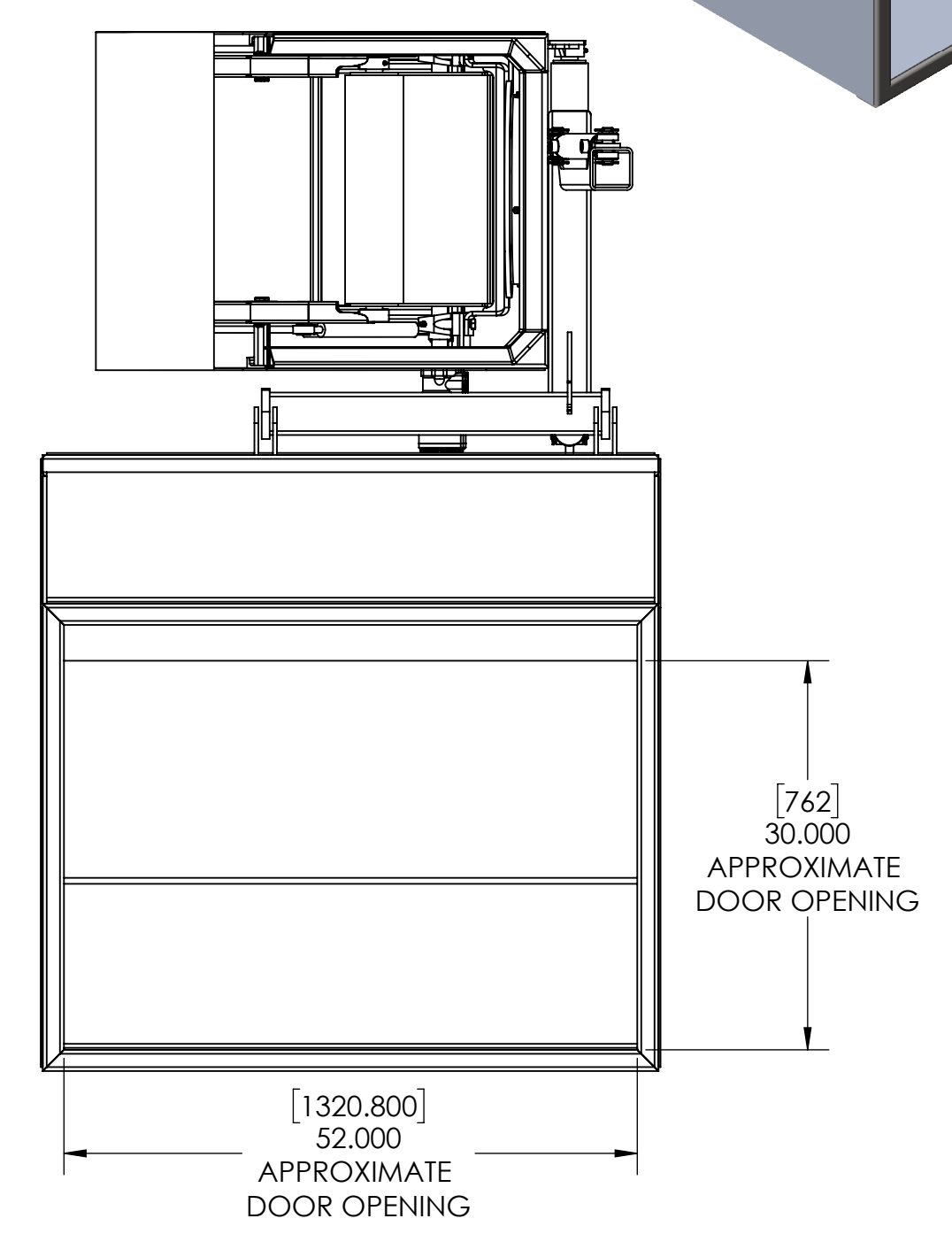
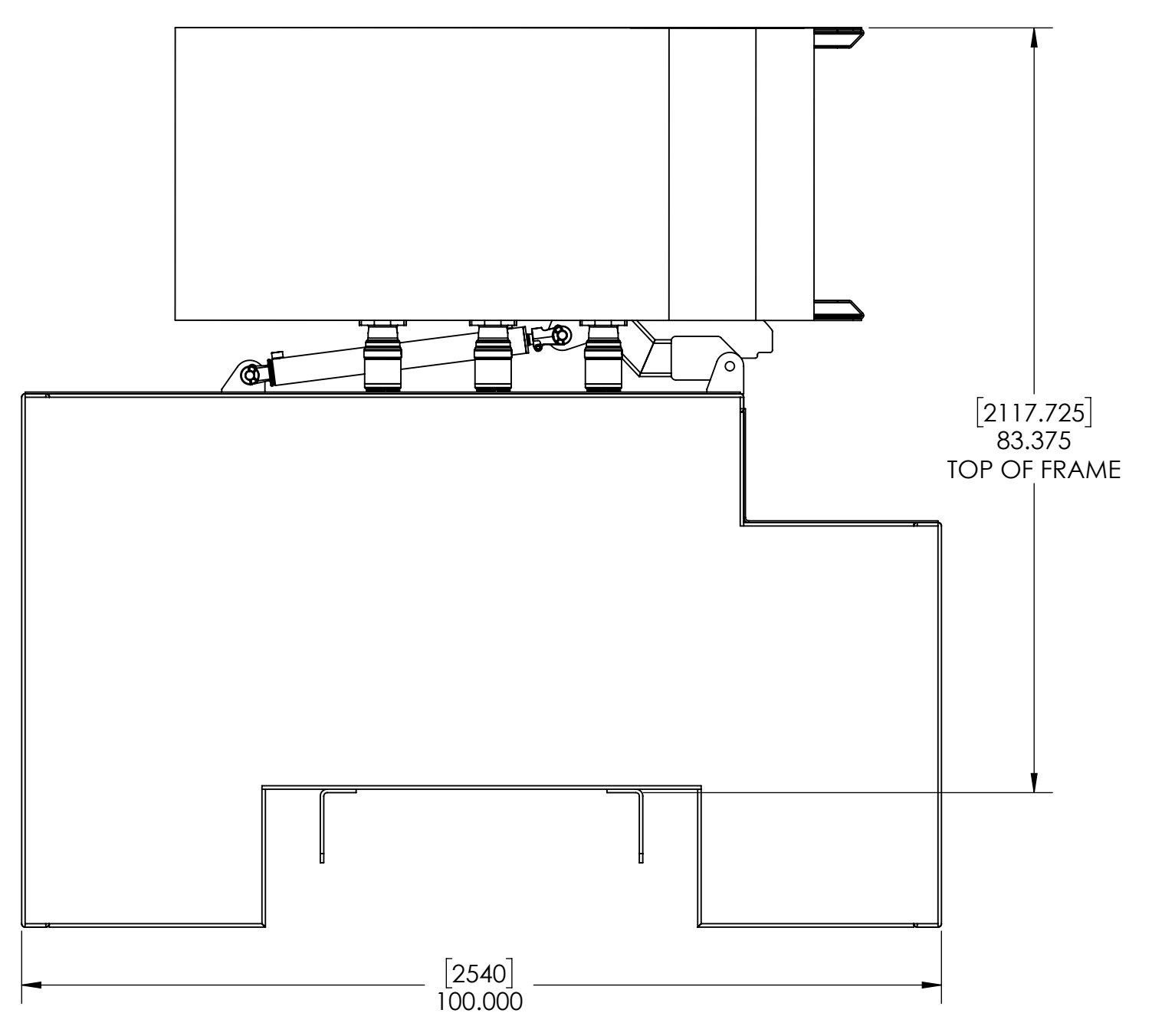
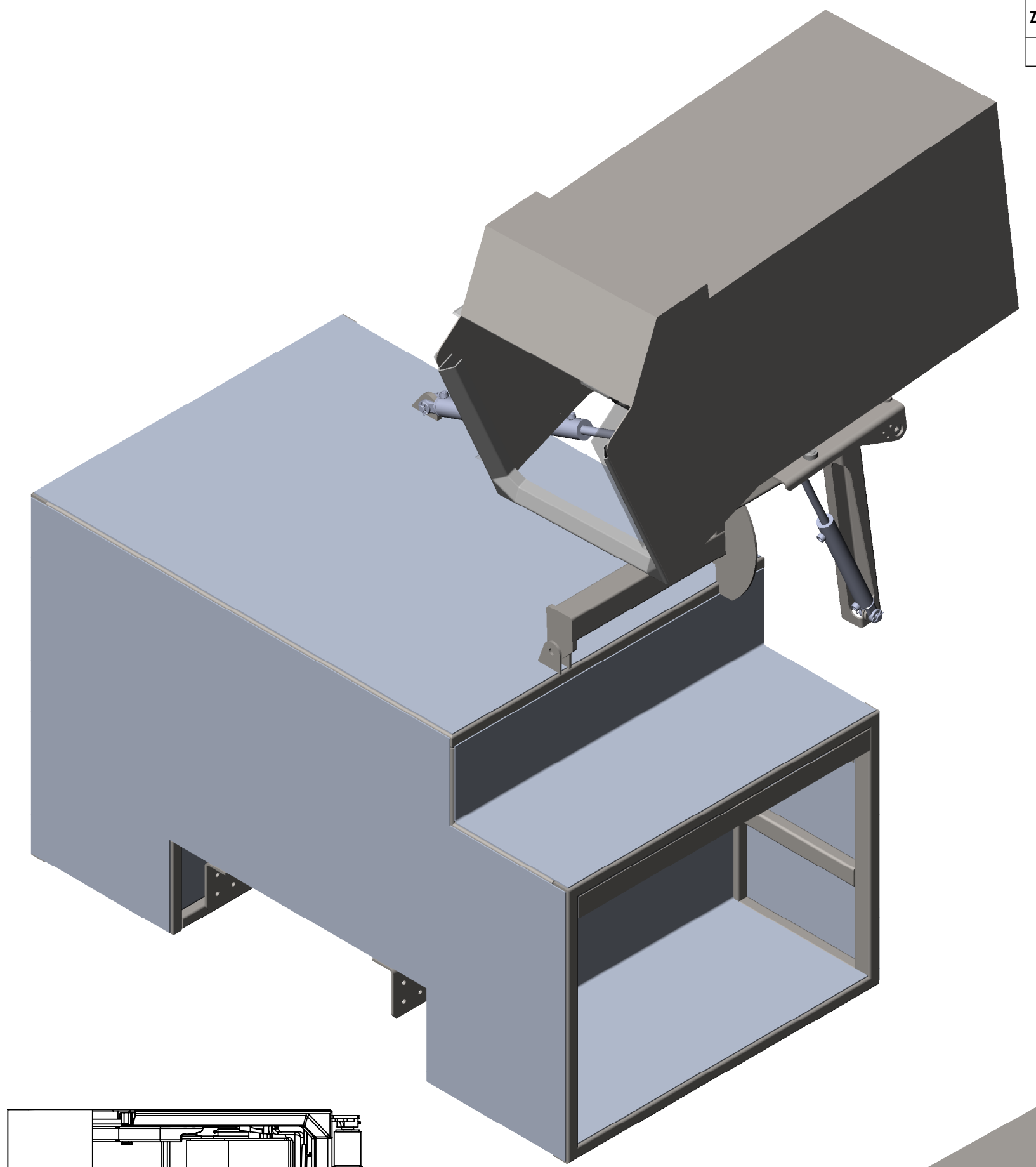
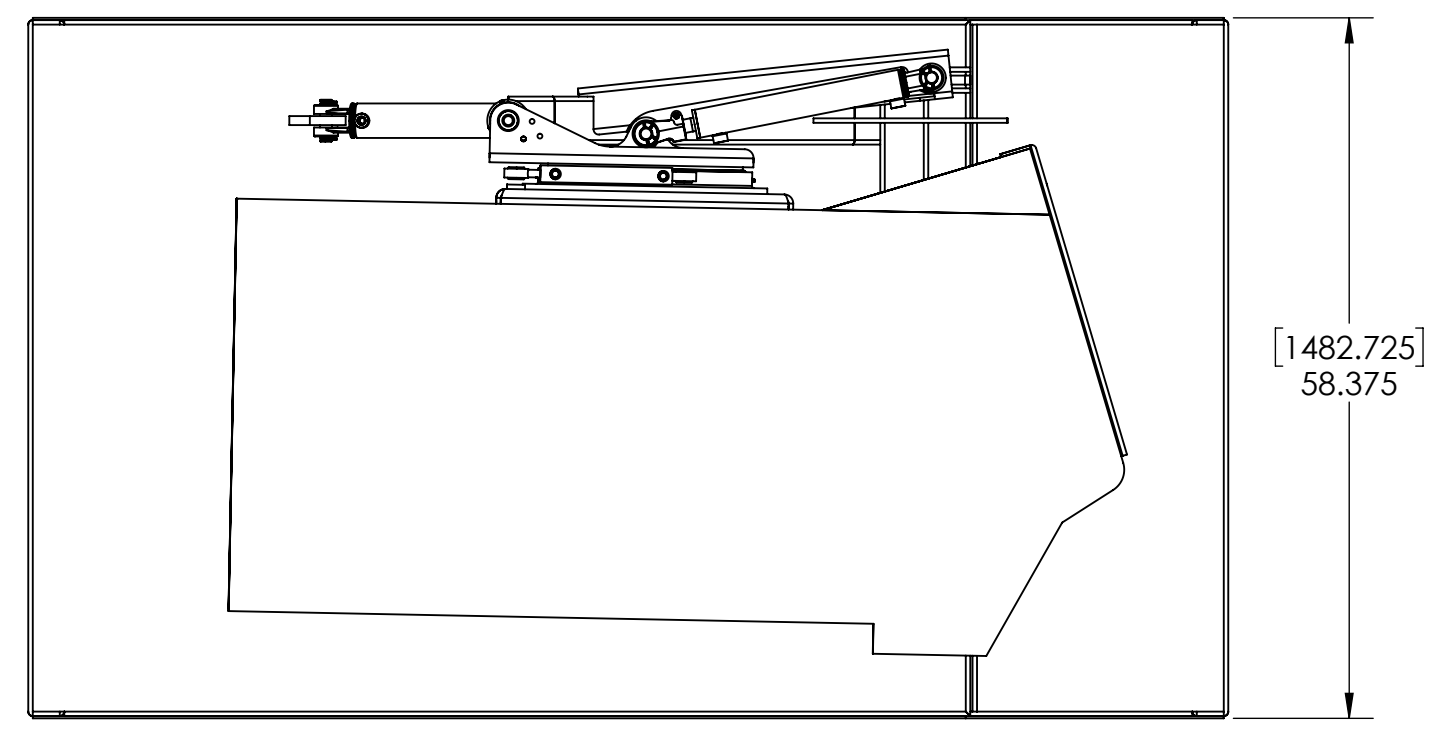


**NOTES:**

1. APPLICABLE STANDARDS/SPECIFICATIONS
  - A. ASME Y14.5M-1994, DIMENSIONS AND TOLERANCES
  - B. ASME Y14.38-2007, ABBREVIATIONS AND ACRONYMS
2. DESIGN MODEL IS REPRESENTED IN CAD DIGITAL DATA FILE. DESIGN MODEL AVAILABLE IN OTHER 2D AND 3D DIGITAL DATA FORMATS ON REQUEST. INTERPRET PER ASME Y14.41-2003.

REVISIONS				
ZONE	REV.	DESCRIPTION	DATE	APPROVED
	-	INITIAL RELEASE	3MAY2018	REN



THE INFORMATION CONTAINED HEREIN IS PROPRIETARY DATA, AND IS NOT FOR DISSEMINATION OR DISCLOSURE, IN WHOLE OR IN PART, FOR ANY PURPOSE OTHER THAN THAT FOR WHICH IT IS SUBMITTED, EXCEPT AS AUTHORIZED IN WRITING BY US FIRE PUMP.

DELIVERY MUST CONFORM EXACTLY WITH DRAWING SPECIFICATIONS AND APPROVED Q.A. SAMPLES. ABSOLUTELY NO CHANGES ARE PERMITTED WITHOUT PRIOR APPROVAL BY US FIRE PUMP. THIS INCLUDES CHANGES TO: SOFTWARE, MATERIALS, INTERNAL COMPONENTS, MANUFACTURING PROCESSES.

INCH

ADDITIONAL APPROVALS	DATE					UNLESS OTHERWISE SPECIFIED DIMENSIONS ARE IN INCHES. TOLERANCES ARE: DECIMALS: .XX ± 0.02 ANGLES: ± 0.5° .XXX ± 0.010 SHEETMETAL DIMENSIONS: ± 0.015 <b>DO NOT SCALE DRAWING</b>	PROJECT							
STRESS							APPROVALS	DATE	TITLE HOSE RETRIEVAL MODULE - HRV812					
MATERIALS & PROCESSES							DRAWN	REN	3MAY2018					
QUALITY ASSURANCE							CHECKED	REN	3MAY2018					
MANUFACTURING ENGINEERING		DASH NO.	NEXT ASSY	USED ON		DESIGNER	REN	3MAY2018	SCALE	D	CAGE CODE	DWG NO.	REV.	
TREATMENT		APPLICATION			PROJECTION	THIRD ANGLE	APPROVED	REN	3MAY2018	N/A	RELEASE DATE	900-1026-00-0	-	
										WEIGHT	3,400	LIBS.	SHEET	1 of 1