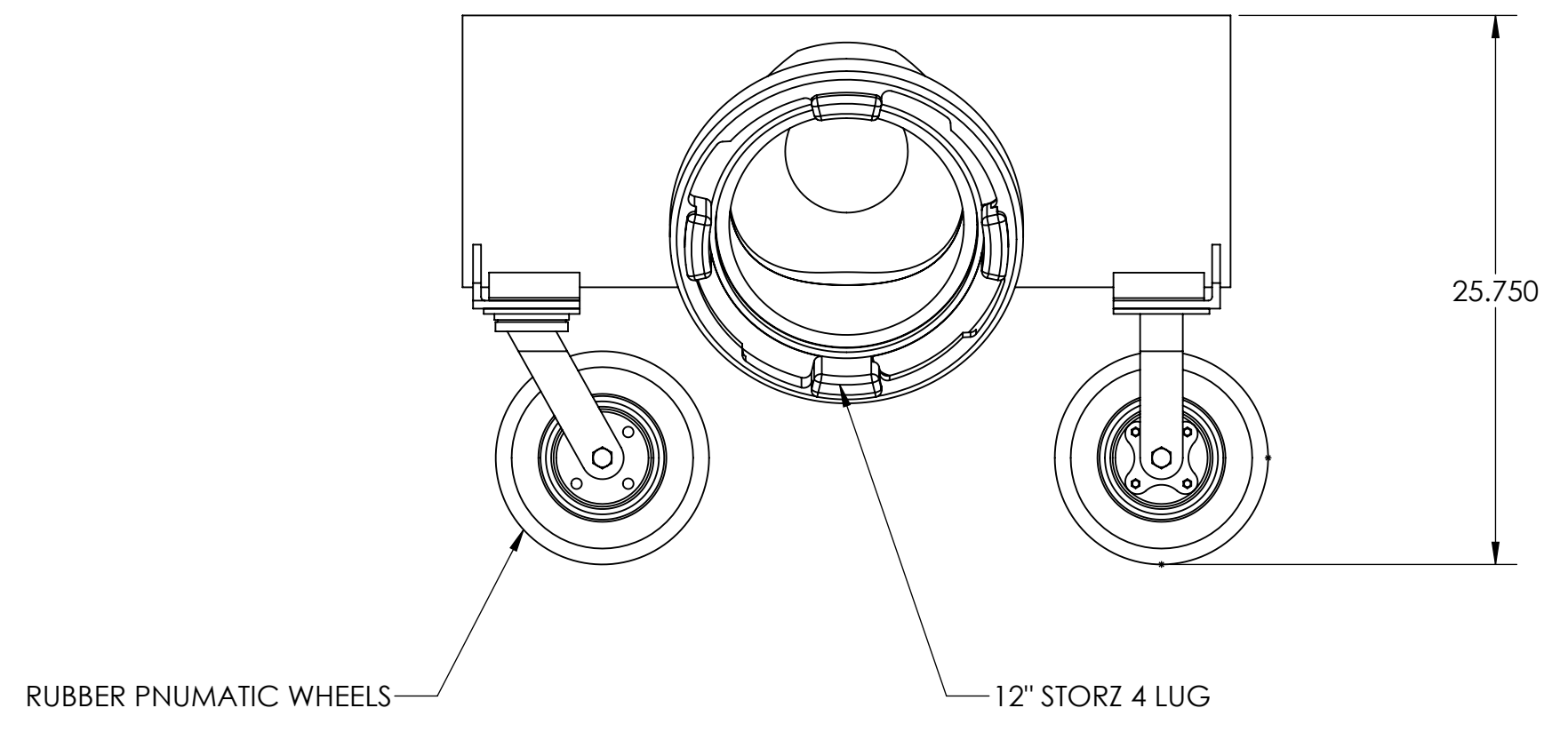
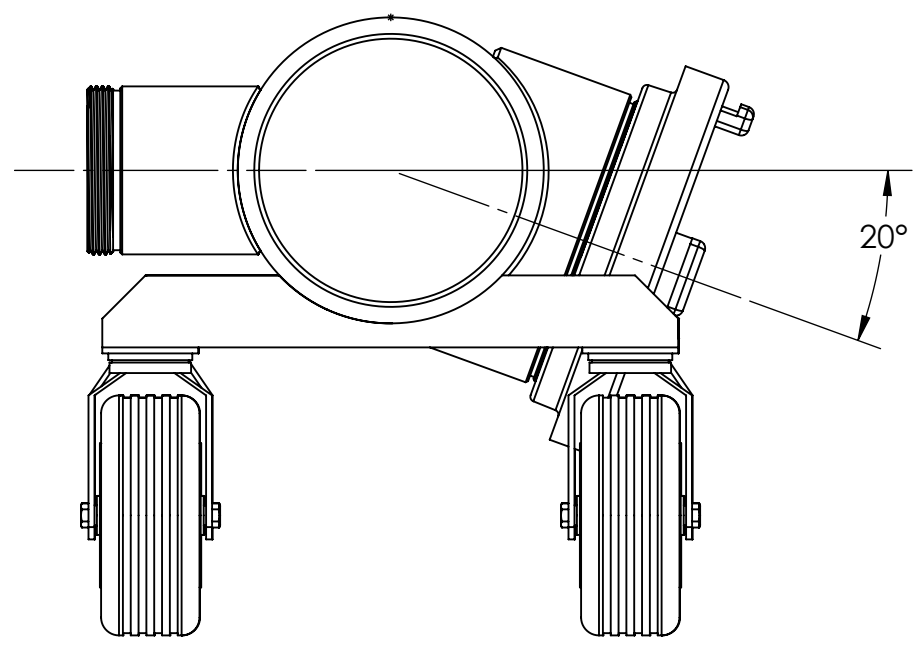
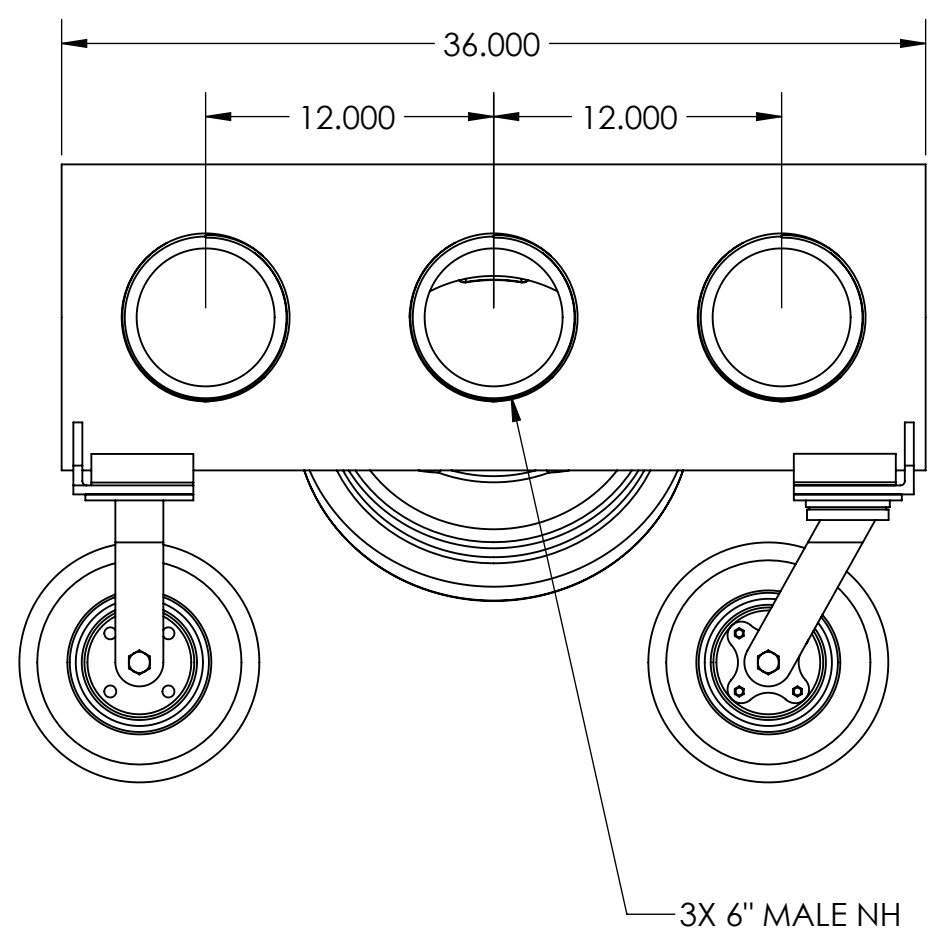
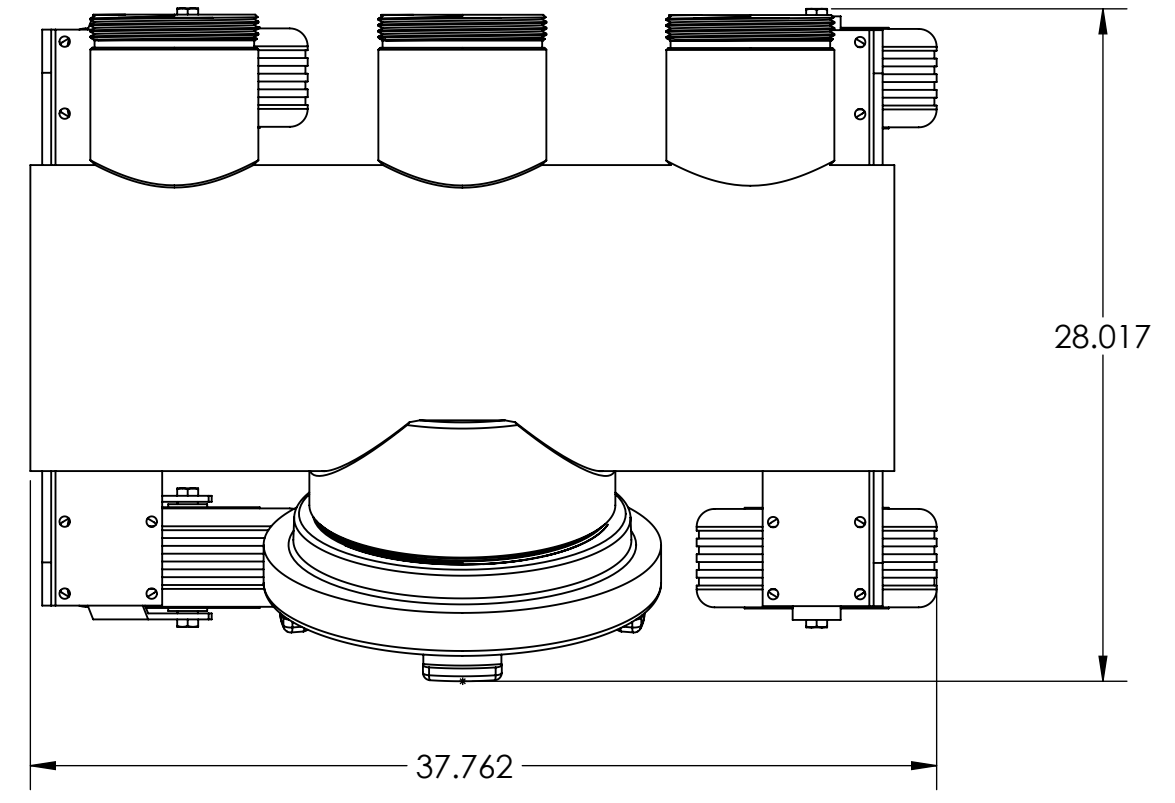
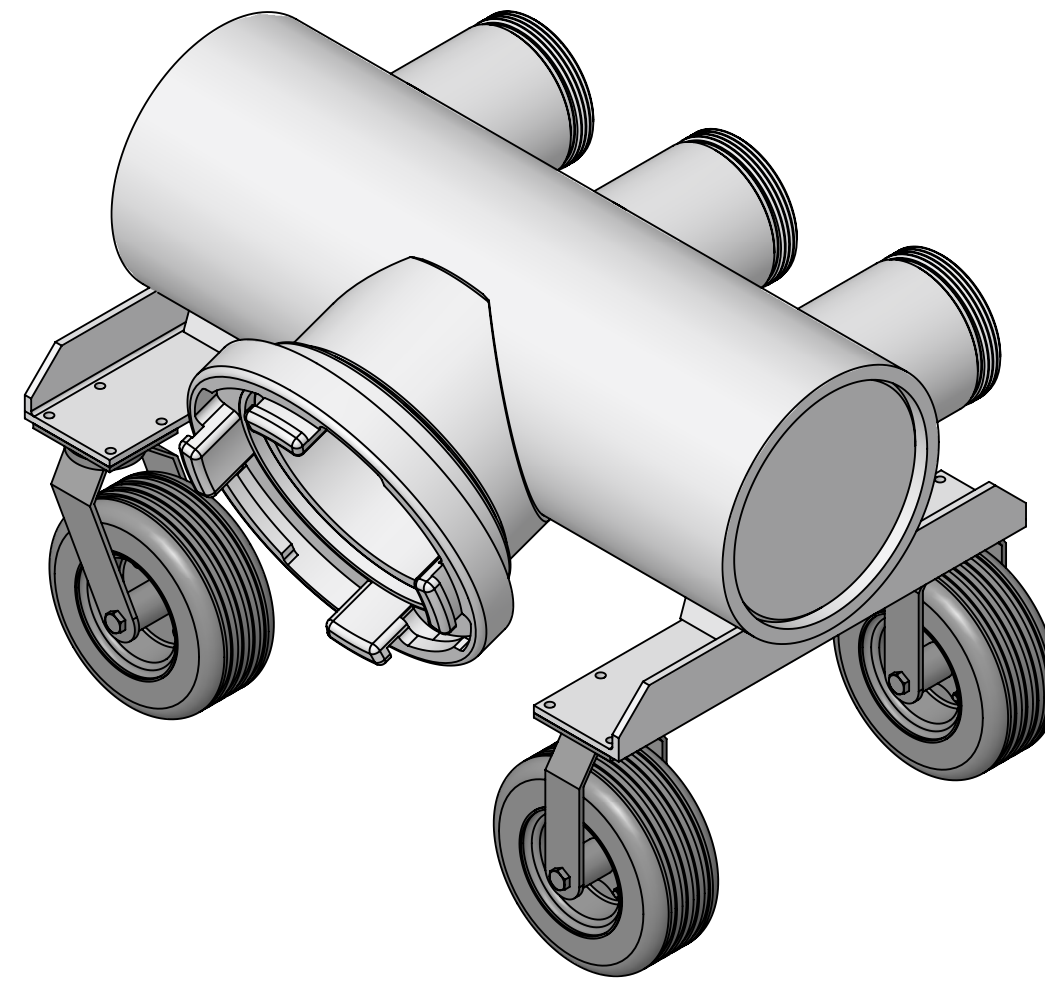


REVISIONS				
ZONE	REV.	DESCRIPTION	DATE	APPROVED
	-	INITIAL RELEASE	5.21.18	REN

NOTES:

1. APPLICABLE STANDARDS/SPECIFICATIONS
 - A. ASME Y14.5M-1994, DIMENSIONS AND TOLERANCES
 - B. ASME Y14.38-2007, ABBREVIATIONS AND ACRONYMS
2. DESIGN MODEL IS REPRESENTED IN CAD DIGITAL DATA FILE. DESIGN MODEL AVAILABLE IN OTHER 2D AND 3D DIGITAL DATA FORMATS ON REQUEST. INTERPRET PER ASME Y14.41-2003.



THE INFORMATION CONTAINED HEREIN IS PROPRIETARY DATA, AND IS NOT FOR DISSEMINATION OR DISCLOSURE, IN WHOLE OR IN PART, FOR ANY PURPOSE OTHER THAN THAT FOR WHICH IT IS SUBMITTED, EXCEPT AS AUTHORIZED IN WRITING BY US FIRE PUMP.

DELIVERY MUST CONFORM EXACTLY WITH DRAWING SPECIFICATIONS AND APPROVED Q.A. SAMPLES. ABSOLUTELY NO CHANGES ARE PERMITTED WITHOUT PRIOR APPROVAL BY US FIRE PUMP. THIS INCLUDES CHANGES TO: SOFTWARE, MATERIALS, INTERNAL COMPONENTS, MANUFACTURING PROCESSES.

INCH

ADDITIONAL APPROVALS	DATE				UNLESS OTHERWISE SPECIFIED DIMENSIONS ARE IN INCHES. TOLERANCES ARE: DECIMALS: ANGLES: .XX ± 0.02 ± 0.02° .XXX ± 0.010 SHEETMETAL DIMENSIONS: ± 0.015 DO NOT SCALE DRAWING	PROJECT			
STRESS						MATERIAL			
MATERIALS & PROCESSES						APPROVALS	DATE		
QUALITY ASSURANCE						DRAWN	REN	5.21.18	
MANUFACTURING ENGINEERING		DASH NO.	NEXT ASSY	USED ON	CHECKED	REN	5.21.18		
TREATMENT		APPLICATION			DESIGNER	REN	5.21.18		
		PROJECTION	THIRD ANGLE	FINISH	APPROVED	REN	5.21.18		
					SCALE	1:8	RELEASE DATE	-	
					SIZE	D	CAGE CODE	-	
					DWG NO.	278-1004-06-0		REV	-
					WEIGHT	205.751	lbs.	SHEET	1 of 1

US FIRE PUMP
MANIFOLD-12" STORZ x 3X 6" MNH, W/CASTERS