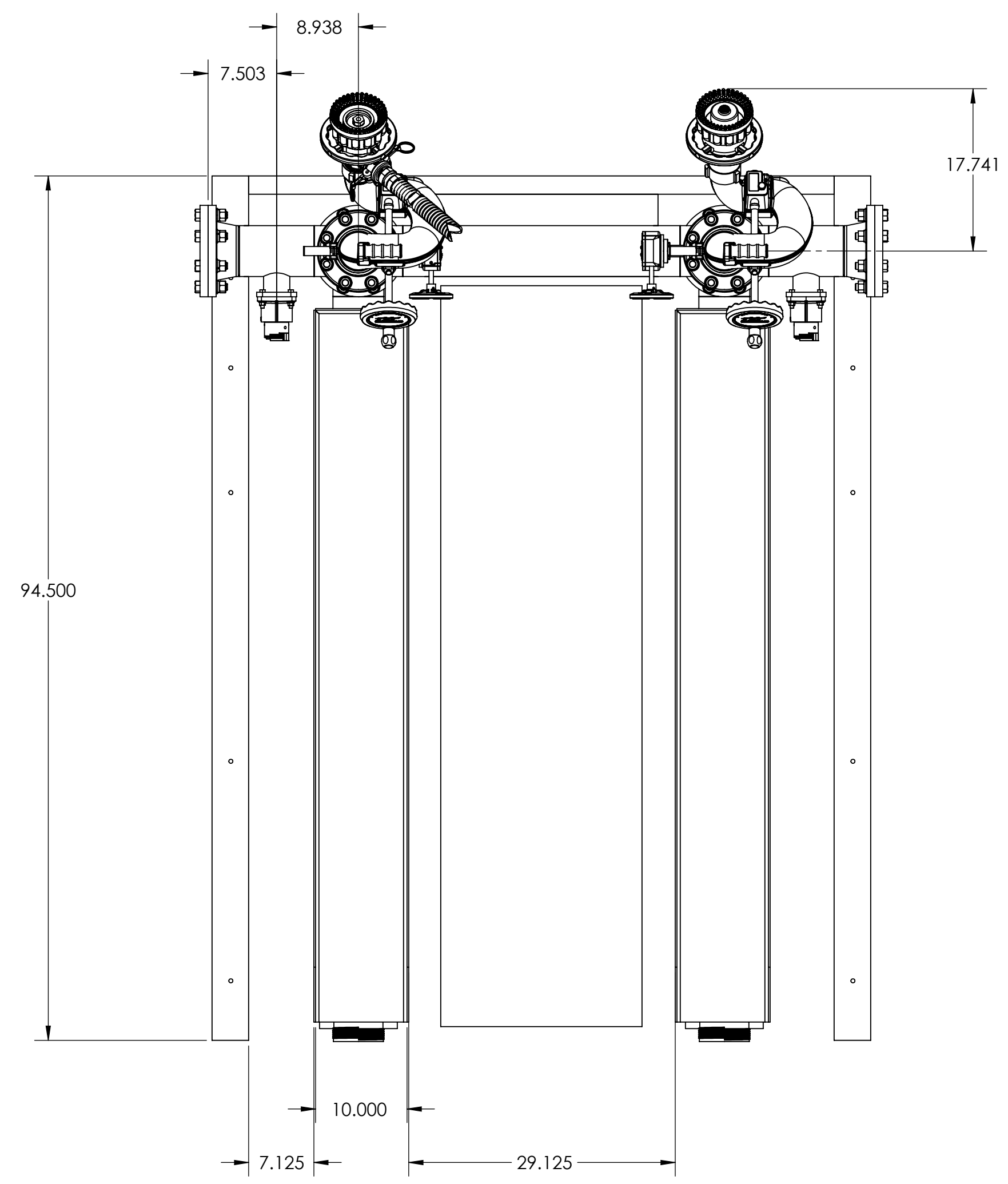
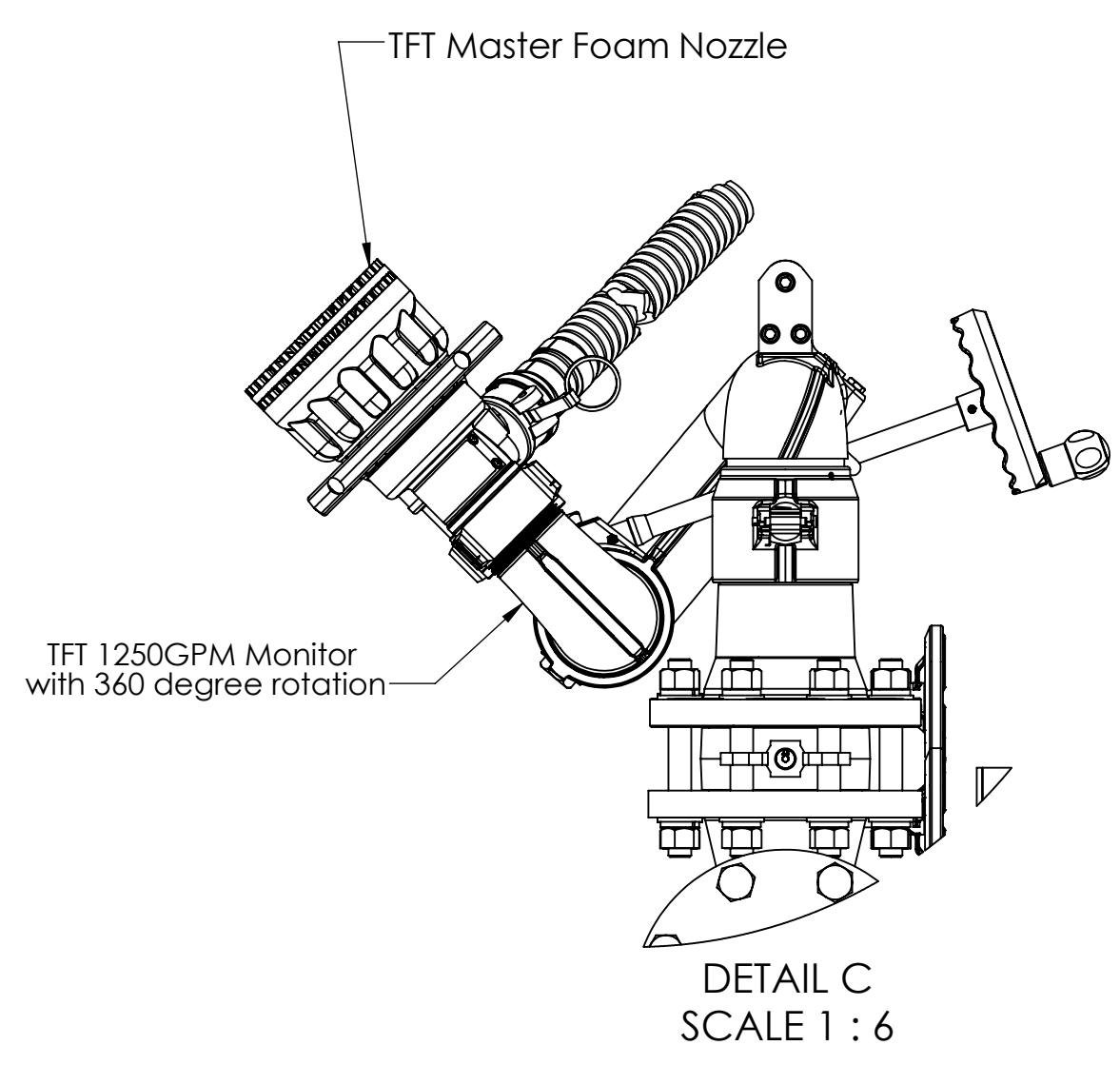


CAGE	DWG NO	778-4001-04-0	REV	1
REVISIONS				
ZONE	REV.	DESCRIPTION	DATE	APPROVED
		INITIAL RELEASE	___/___/___	REN

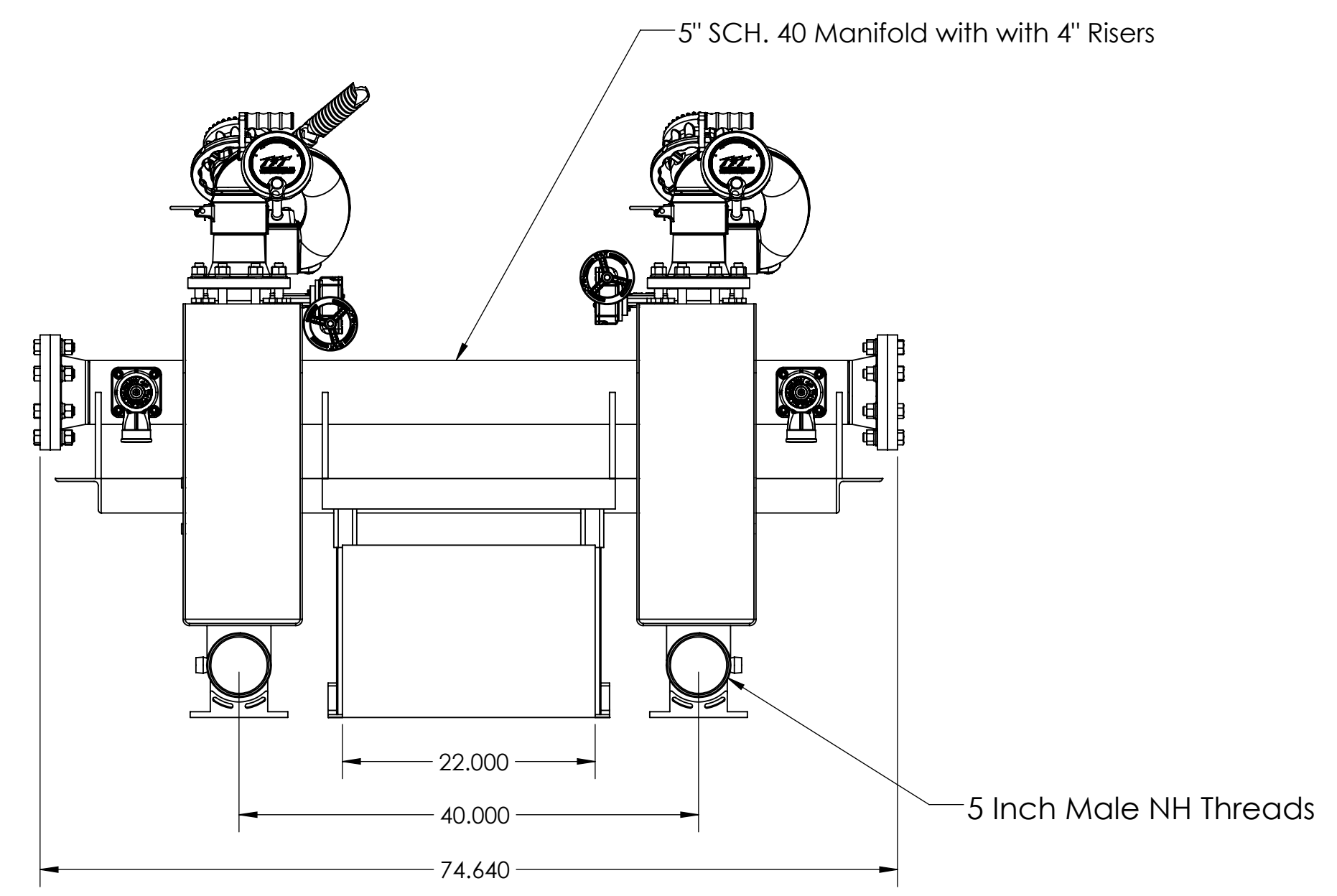
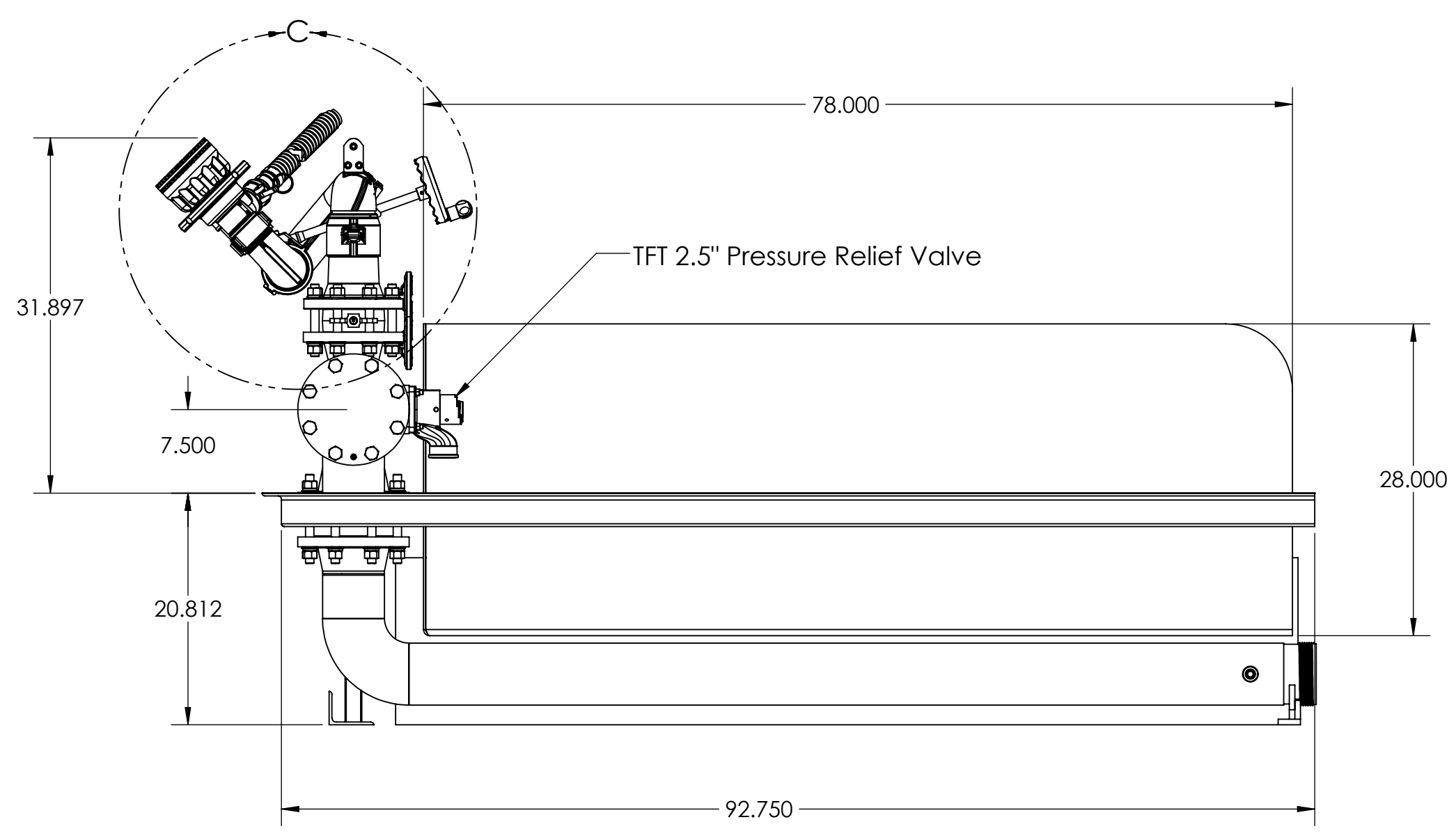
- NOTES:**
- APPLICABLE STANDARDS/SPECIFICATIONS
 - ASME Y14.5M-1994, DIMENSIONS AND TOLERANCES
 - ASME Y14.38-2007, ABBREVIATIONS AND ACRONYMS
 - MATERIAL: ASTM A36 STEEL
 - REMOVE ALL BURRS AND BREAK SHARP EDGES
 - WELD SHALL BE IAW AWS D1.1
 - ALL WELD SIZES ARE MINIMUM
 - FINISH: PRIME PAINT - COLOR SIKKENS RED CODE 30635
 - DESIGN MODEL IS REPRESENTED IN CAD DIGITAL DATA FILE. DESIGN MODEL AVAILABLE IN OTHER 2D AND 3D DIGITAL DATA FORMATS ON REQUEST. INTERPRET PER ASME Y14.41-2003.



Hose Trays capable of holding 200 feet of 5" hose each

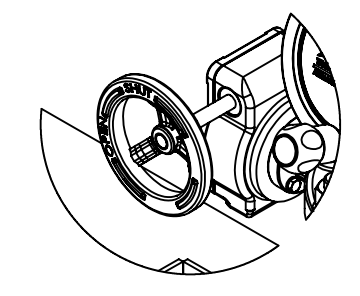
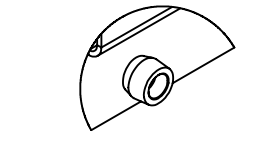
UPF 100 Gallon Foam Tank 22"x15"x81"

5 Inch Male NH Threads



1/2" Threadolet for Drain Valve

4" Manual Butterfly Valve



THE INFORMATION CONTAINED HEREIN IS PROPRIETARY DATA, AND IS NOT FOR DISSEMINATION OR DISCLOSURE, IN WHOLE OR IN PART, FOR ANY PURPOSE OTHER THAN THAT FOR WHICH IT IS SUBMITTED, EXCEPT AS AUTHORIZED IN WRITING BY US FIRE PUMP.

DELIVERY MUST CONFORM EXACTLY WITH DRAWING SPECIFICATIONS AND APPROVED Q.A. SAMPLES. ABSOLUTELY NO CHANGES ARE PERMITTED WITHOUT PRIOR APPROVAL BY US FIRE PUMP. THIS INCLUDES CHANGES TO: SOFTWARE, MATERIALS, INTERNAL COMPONENTS, MANUFACTURING PROCESSES.

INCH

ADDITIONAL APPROVALS	DATE					UNLESS OTHERWISE SPECIFIED DIMENSIONS ARE IN INCHES. TOLERANCES ARE:	PROJECT	
STRESS						DECIMALS: .XX ± 0.02 ANGLES: ± 0.5°	APPROVALS	DATE
MATERIALS & PROCESSES						.XXX ± 0.010 SHEETMETAL DIMENSIONS: ± 0.03	BLN	3/29/2018
QUALITY ASSURANCE						DO NOT SCALE DRAWING	REN	3/29/2018
MANUFACTURING ENGINEERING	DASH NO	NEXT ASSY	USED ON	APPLICATION		MATERIAL	DESIGNER	DATE
TREATMENT						ASTM A36 STEEL	REN	3/29/2018
	PROJECTION	THIRD ANGLE				FINISH	APPROVED	SCALE
						-Prime Paint - Color Sikkens Red Code 30635	REN	1:16
							PROJECT TITLE	
							US FIRE PUMP	
							Quick Attack Truck Manifold	
							CAGE CODE	DWG NO
							-	778-4001-04-0
							RELEASE DATE	WEIGHT
							3/29/20	2011.328 lbs
							SHEET	1 of 1